

**WARNING!**

**Product must be transported using the appropriate protective packaging.**

**Keep the original packaging in case of need.**

**Incorrect packaging may result in damages to the internal parts of the product.**

**Packaging and unpacking operations must be carried out by TWO people to avoid damage to the cabinet.**

**BV2 srl assumes no liability whatsoever for failure to comply with the aforementioned instructions and warnings.**

**BRIONVEGA**

**BV2 srl**  
**The BRIONVEGA ART Products - Milano**

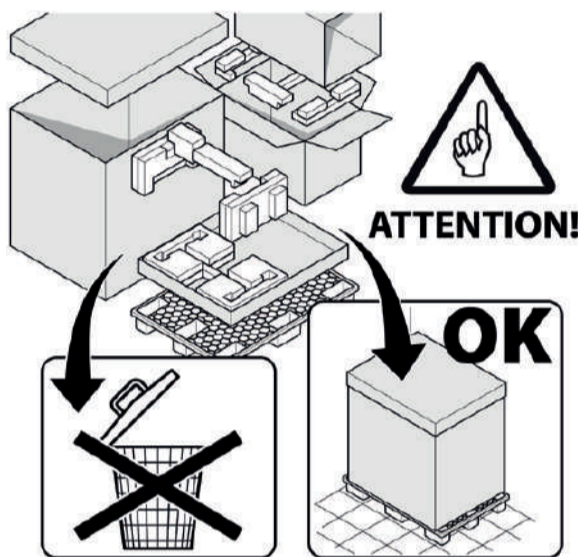
Operation Office:  
Via Udine, 59 33061 Rivignano Teor - Italy  
Tel. +39.0434.383292  
info@brionvega.it  
www.brionvega.it

## UNPACKING AND PACKING INSTRUCTIONS

**Keep the original packaging in case of need.**

### UNPACKING

This document explains how to properly unpack the BRIONVEGA totem rr231. Please read All Instructions and Warnings Before Unpacking. **This operations must be carried out by TWO people to avoid damage to the cabinet.**



### CAUTION!

For warranty reasons, do not throw away the packaging materials. TWO people are needed to unpack the system. Do not attempt to do it alone.

Cut the plastic straps that secure the packaging to the pallet and lift the cover.

Remove the cardboard. Do not attempt to remove the unit from the pallet without the assistance of another person.



Lift the cover and remove the accessory box.

Remove the nylon that wraps the totem and remove the protections placed between the speakers.

Lift the totem off the pallet and place it on a perfectly horizontal plain. This operation must be carried out by TWO people to avoid damage to the cabinet.

## PACKAGING

This document explains how to properly pack the BRIONVEGA totem rr231. Please read All Instructions and Warnings Before Packing. **This operations must be carried out by TWO people to avoid damage to the cabinet.**



Place the totem in the pallet base of the packaging. This operation must be carried out by TWO people to avoid damage to the cabinet. Insert the protections placed between the two loudspeakers and between the loudspeakers and the central body.



Wrap the totem into its nylon bag.



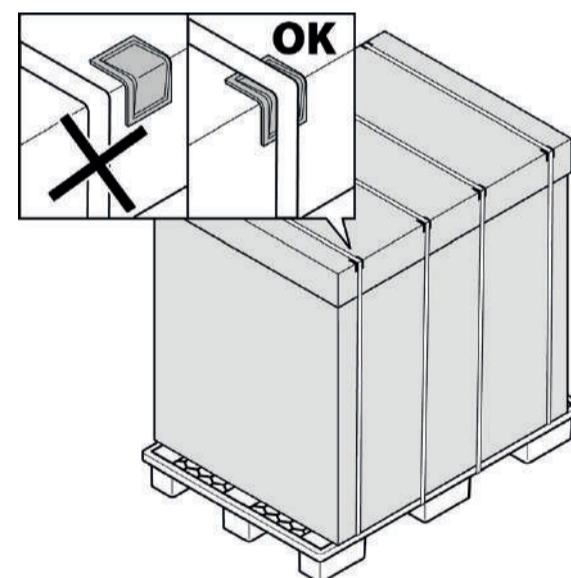
Place the protections on the four sides of the totem.



Insert the cardboard.



Place the accessory box in the upper part and then the cover of the cardboard.



Tie the whole box with plastic straps. Please use plastic corners to prevent the plastic straps from damaging the packaging once stretched. The plastic straps must tie the packaging to the plastic pallet.

## WARNING!

**Product must be transported using the appropriate protective packaging.**

**Keep the original packaging in case of need.**

**Incorrect packaging may result in damages to the internal parts of the product.**

**BV2 srl assumes no liability whatsoever for failure to comply with the aforementioned instructions and warnings.**